

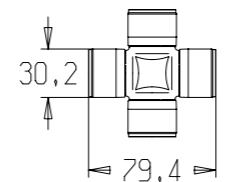

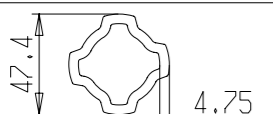
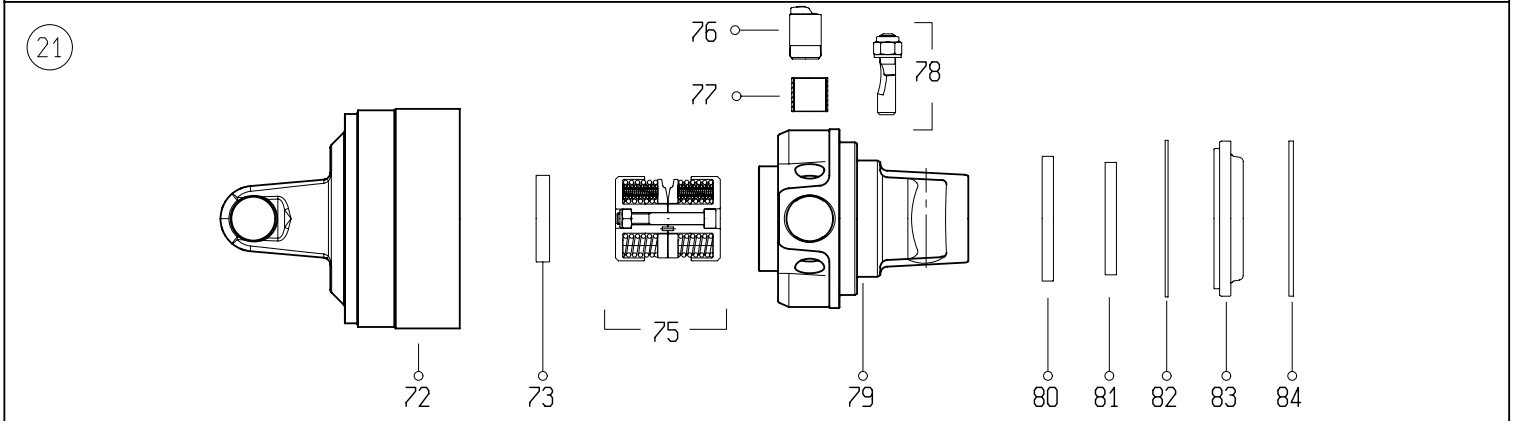
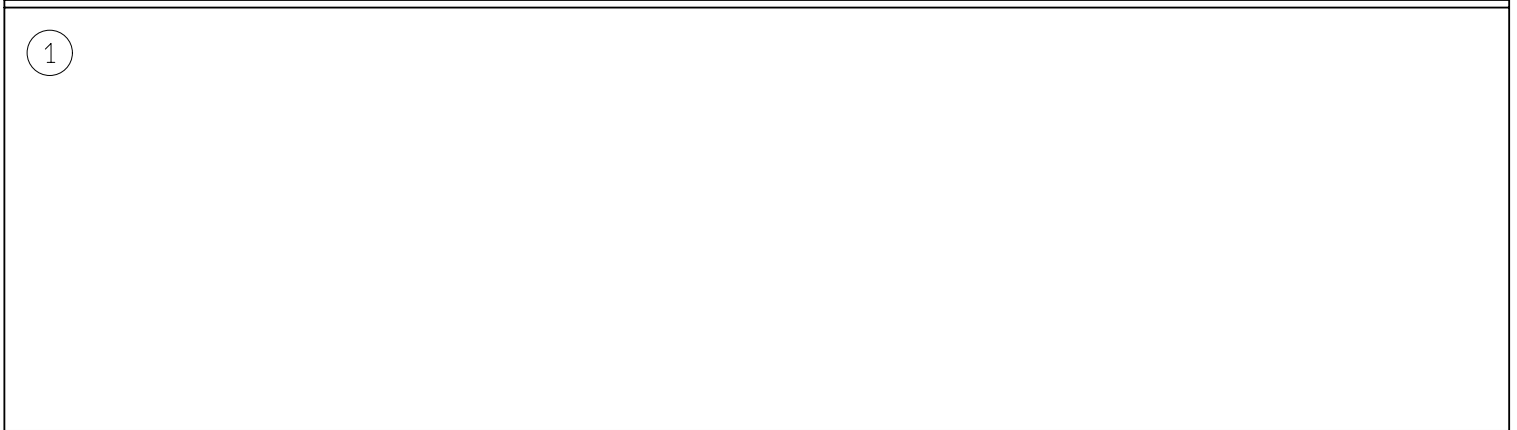
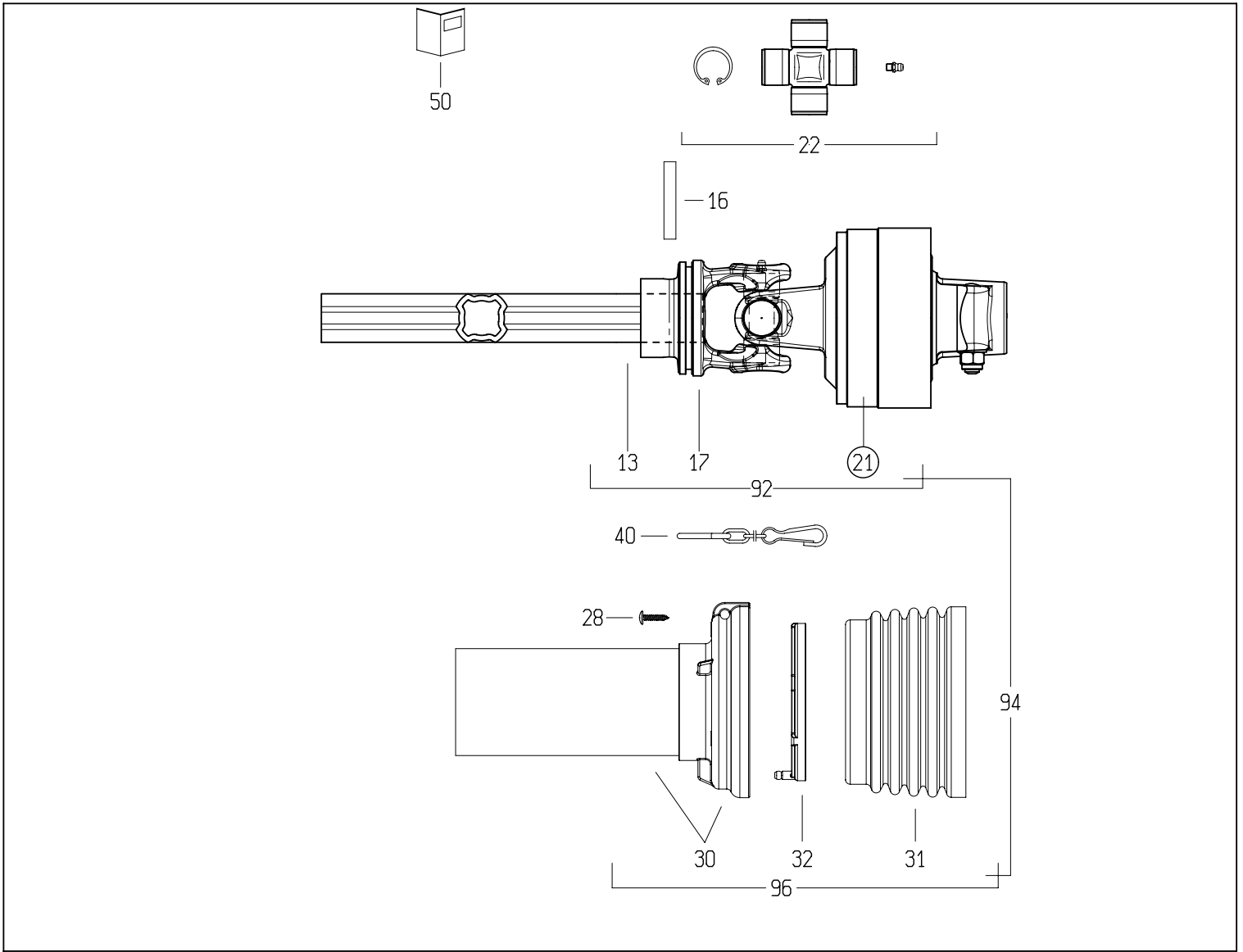


WARNING!

SECTIONS  OF THE ASSEMBLY MARKED  ARE NOT SHIELDED AND MUST BE SHIELDED BY AN INTERACTIVE GUARDING SYSTEM. BONDIOLI & PAVESI DECLINES RESPONSIBILITY IF PROPER GUARDS ARE NOT PROVIDED OR MAINTAINED.

1	CODICE CODE	LATO TRATTORE TRACTOR SIDE	LATO MACCHINA IMPLEMENT SIDE	TIPO-TYPE	CLIENTE / CUSTOMER	RIF. CLIENTE / CUSTOMER REF.	
2	03B LR23 1900 Nm			SFT-S6	3600522 SAMSON AGRO A/S	935000272	
3				DATA / DATE	DISEGNATO / DESIGNED BY	TIPO DI MACCHINA / TYPE OF IMPLEMENT	
4	 RILSAN L=750	VELOCITA' MAX MAX SPEED	M max	21/10/04	P. Spennato	STUDIO / DESIGN	
		540 min ⁻¹	3000 Nm	LUNGHEZZA MAX IN LAVORO MAX WORKING LENGTH	LW=	CS6R089CEWR803BA	
				LUNGHEZZA MAX TEMPORANEA MAX TEMPORARY LENGTH	Lt=		
				LUNGHEZZA MAX NON IN ROTAZIONE MAX LENGTH AT STANDSTILL	Ls=		
						NOTE / NOTES	CODICE / CODE
							CS6R089CE03BIWSA
							REV.



DISEGNATO / DESIGNED BY L. Bonini	DATA / DATE 9/11/2004	CODICE / CODE CS6R089CE03BIWSA	REV.
--------------------------------------	--------------------------	-----------------------------------	------

```

935000272_CS6R089CE03BIWSA.txt
0013;2453N0750 ; 1;-
0016;341043000R10 ; 1;FLEXIBLE ROLL PIN £6/7 INNER 10X65MM
0017;204S66854 ; 1;TUBE YOKE S6 I. 4-LOBE
0021;6WG159003R ; 1;-
0022;4120G0012R40 ; 1;CROSS JOURNAL
0028;310001431R30 ; 3;SCREW
0030;5MWN1S6089C ; 1;-
0031;2190G0201 ; 1;S6-S7 SHIELD CONE
0032;2550G0002R02 ; 1;SHIELD BEARING S6 INNER YOKE
0040;252000033R02 ; 1;SHIELD CHAINS S6-SO L=524
0050;399CEE053 ; 1;BOOKLET OP MANUAL CE SFT
0072;4310G1151 ; 1;FLANGE HOUSING
0073;240000205R02 ; 1;RING
0075;421155901R ; 1;KIT FOR LR23 1900NM
0076;250000101R05 ; 1;PLUG CLUTCH RATCHET LR CLUTCH
0077;258000100R05 ; 1;SLEEVE BUSHING RATCHET LR 28X30X2
0078;408000047R02 ; 1;PIN
0079;515150301 ; 1;HUB
0080;240000201R02 ; 1;RING
0081;355006080R02 ; 1;-
0082;358000006R20 ; 1;-
0083;240000202R02 ; 1;-
0084;338000138R20 ; 1;-
0092;CS6R0890003BIWS ; 1;-
0094;CS6R089CE03BIWS ; 1;-
0096;5IS6089CEWS ; 1;-

```